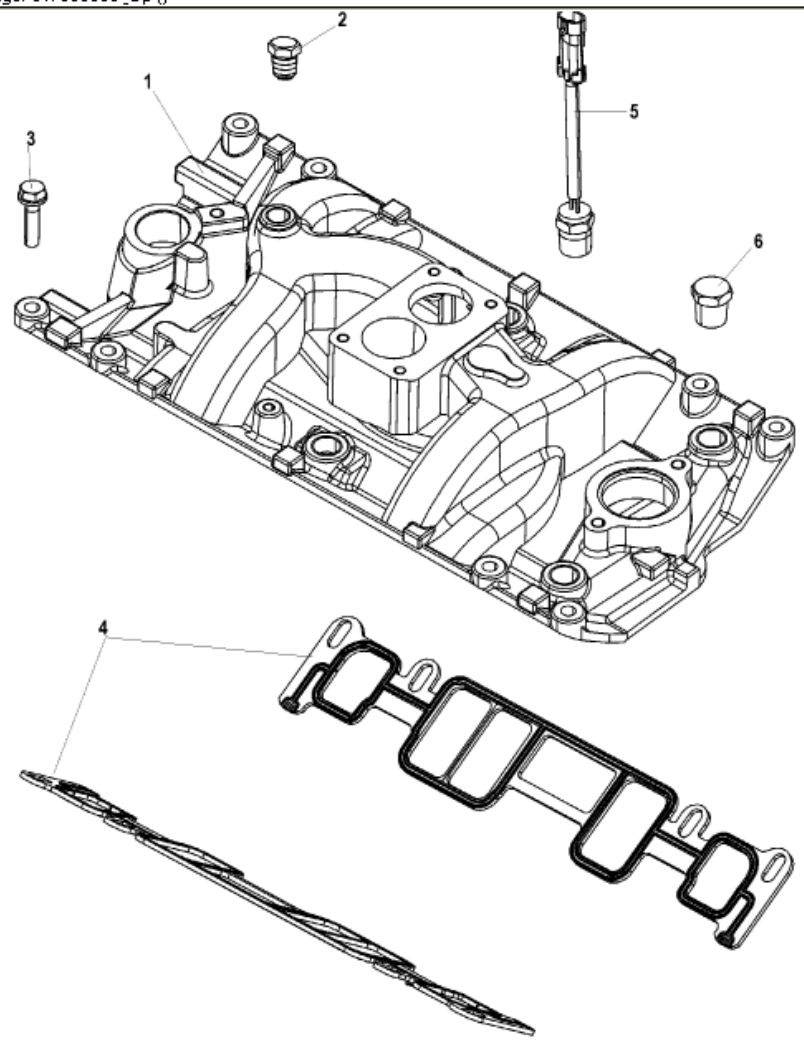


Parts List						
Ref	Class	Part	Description	Qty	Comment	Footnote
1		824324T02	INTAKE MANIFOLD	1	(2 Barrel)	
2	22	75983	PLUG (.25-14)	1		
3	10	835004	BOLT, (.312-18 x 1.75)	8		
4	27	824326002	GASKET SET, Intake	1		2,4
5	87	866089	THERMAL SWITCH, (Normally Open)	1		
6	22	37372	PLUG, Pipe (.500)	1		



12711